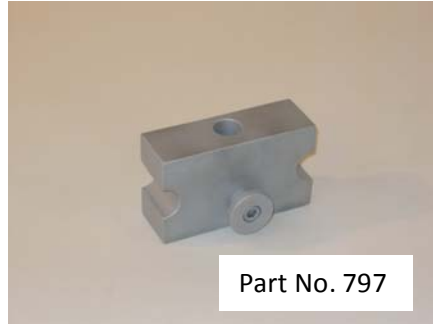


TOOLING ADAPTERS

800-558-7808

Bring Huth Quality to your Bend-Pak, Eze Bend and Ben Pearson Benders....

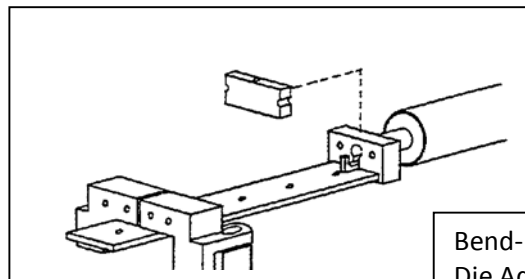
Now Huth tooling is adaptable to Bend-Pak, Eze Bend and Ben Pearson benders. On the Bend-Pak and Eze Bend benders, all Huth arbors, segments and swage tooling will attach to the 1" 14-thread shaft without modification. Huth back shoes and dies also mount on the swing gates without modification. Use the Die Adapter 798 to adapt Huth bending dies to the sled of a Bend-Pak bender. Use Die Adapter 797 to adapt Huth bending dies to the sled of an Eze Bend Bender.



Part No. 797

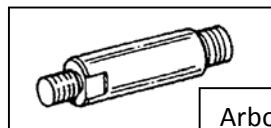
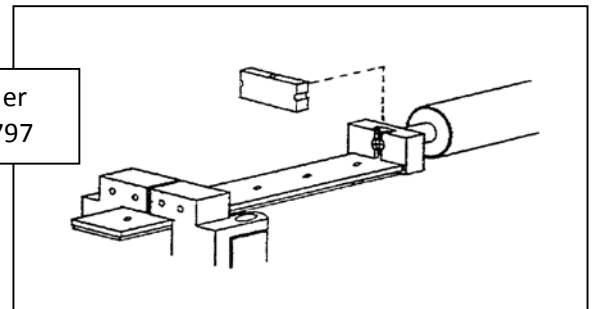


Part No. 798



Bend-Pak Bender Die Adapter #798

Eze Bend Bender Die Adapter #797



Arbor Adapter #524

524 With Rod Bracket Bender (Part #985)

