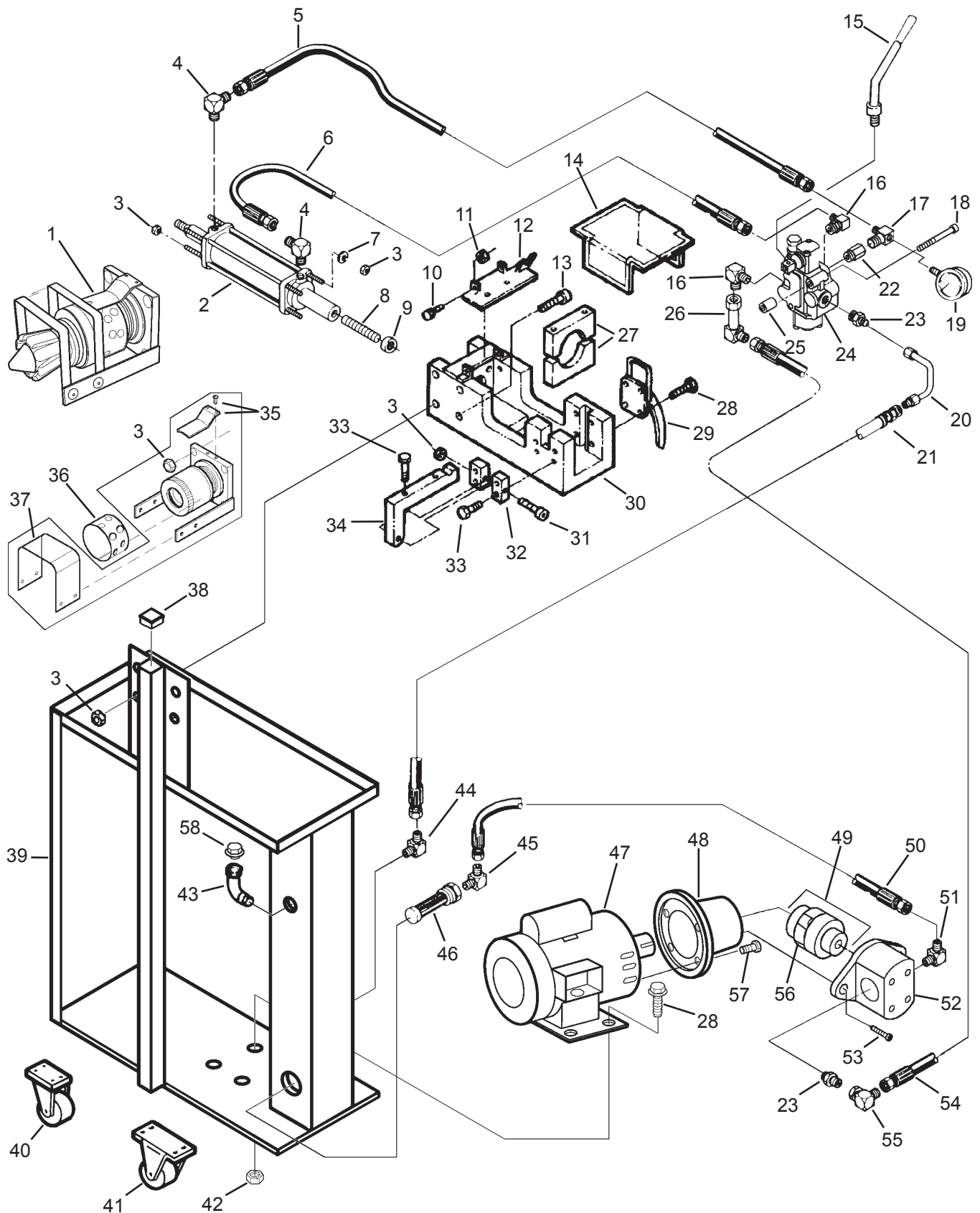


# Section VI

## Frame And Hydraulic Components - 1673



## Frame And Hydraulic Components - 1673

KEY	PART NO.	DESCRIPTION	QUANTITY
1	41047	Adjustable Collar and Guard Assembly (includes #3, #35, and #37)	1
2	92256	Swager Cylinder 3-1/2"	1
3	97208	Jam Nut, 1/2"-13	5
4	92009	90 Ftg, 1/2ML NPT x 3/8ML JIC	2
5	92263	Hose, 3/8" Double Braid 5000 psi. 19" Long	1
6	92264	Hose, 3/8" Double Braid 5000 psi. 23-1/2" Long	1
7	97383	Lockwasher, 1/2"	4
8	97051	Stud, Threaded 1-14	1
9	97100	Nut, Knurled	1
10	97260	Hex Bolt, 1/4"-20x3/4"	1
11	97210	Locknut, 1/4"-20	1
12		Guard Assemble, Swager Box (Order 1 each 41019 and 41017, Assembled at factory)	
13	97217	Screw, Socket Head Cap, 1/2"-13x1-1/2"	4
14	41011	Swager Box Cover Material	1
15	92109	Handle, Swage Valve	1
16	92004	Str. Ftg., 1/2" ML NPT x 3/8" ML JIC	2
17	92009DT	90 Ftg, 1/2ML NPT x 3/8ML JIC, DT	1
18	97206	Screw, Socket Head Cap, 3/8"-16x3-1/4"	2
19	92100	Pressure Gauge	1
20	92313	Tube Assembly, 3/8"	1
21	92248	Hose, 3/8" Low Pressure Return 36-1/2" Long	1
22	92008	Str Ftg, 1/2ML SAE O'R x 1/2 FM NPT	1
23	92006	Str, 3/8ML JIC x 1/2ML SAE O'R	2
24	92103P	Swage Valve with Handle - Plugged	1
25	70045	Bushing, Steel	2
26	92023	90 Lg Elb, 3/8 ML JIC x 3/8FM JIC	1
27	891	Collet Holder	1
28	97267	Hex Bolt, 3/8"-16 x 1"	8
29	97176	Clamp, Swager Arm	1
30	34012	Frame, Swager	1
31	97232	Hex Bolt, 1/2"-13x4"	1
32	91061	Hinge Block	2
33	97231	Hex Bolt, 3/8"-16x1-3/4"	2
34	91060	Swager Arm	1
35	595	Sight	1
36	98043	Calibration Decal	1
37	41010	Guard Material	1
38	97472	End Cap	1
39		Frame	1
40	97072	Swivel Caster	2
41	97073	Rigid Caster	2
42	97225	Locknut, 3/8"-16	4
43	92042	Fitting, Elbow, 45 Degree	1
44	92020	Fitting, Elbow, 90 Degree	1
45	92010	90 Ftg, 1/2M NPT x 1/2ML JIC	1
46	92045	Filter, Easy Flow	1
47	95019	Motor, 5 H.P., 60 Hz, Single Phase	1
	95020	Motor, 5 H.P., 60 Hz, Three Phase	1
48	95021	Mount, Motor-Pump	1
49	92356	Coupler, with Spyder	1
50	92246	Hose, 1/2" Suction 29"	1
51	92078	Fitting, Elbow, 90 Degree	1
52	92114	Pump	1
53	97267	Hex Bolt, 3/8"-16 x 1"	2
54	92247	Hose, 3/8" Double Braid 5000 psi. 36-1/2"	1
55	92021	90 Elb, 3/8ML JIC x 3/8FM JIC SVL	1
56	92358	Spyder	1
57	97400	Hex Bolt, 1/2"-13x3/4"	4
58	839	Vent Cap	1